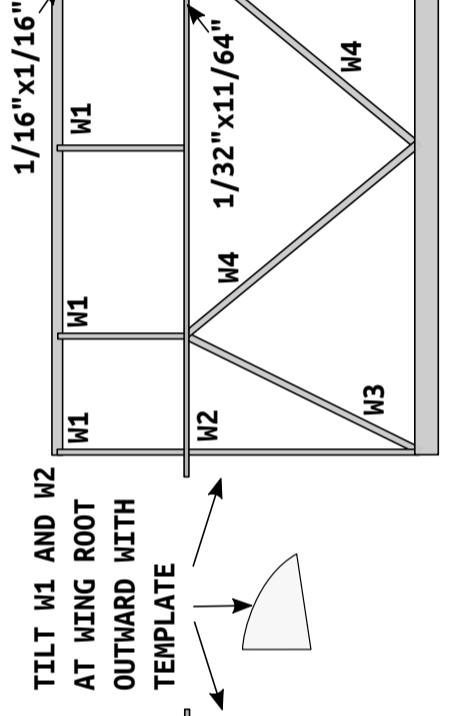


ROOT CROSS SECTION

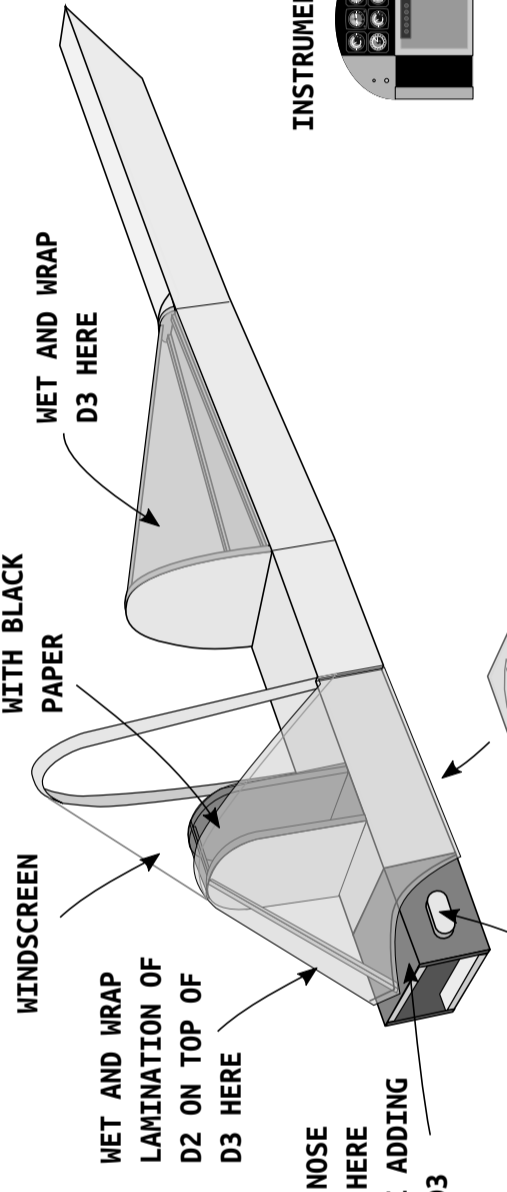
- W1 1/32" - MAKE 14
- W2 1/32" - MAKE 4
- W3 1/32" - MAKE 2
- W4 1/32" - MAKE 10



CROSS SECTIONS

WING TIP -  
CARVE FROM  
2" x 13/32" x 11/64"  
BLOCK

COVER B1  
BULKHEADS  
WITH BLACK  
PAPER

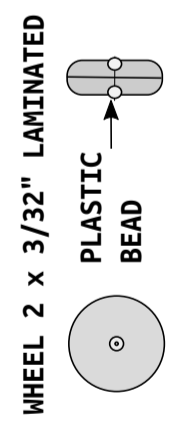


WINDSCREEN

WET AND WRAP  
LAMINATION OF  
D2 ON TOP OF  
D3 HERE

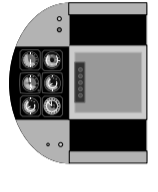
PAINT NOSE  
BLACK HERE  
BEFORE ADDING  
D2 & D3

DUMMY CYLINDER  
HEAD (BOTH SIDES)



WHEEL 2 x 3/32" LAMINATED  
PLASTIC BEAD

INSTRUMENT PANEL

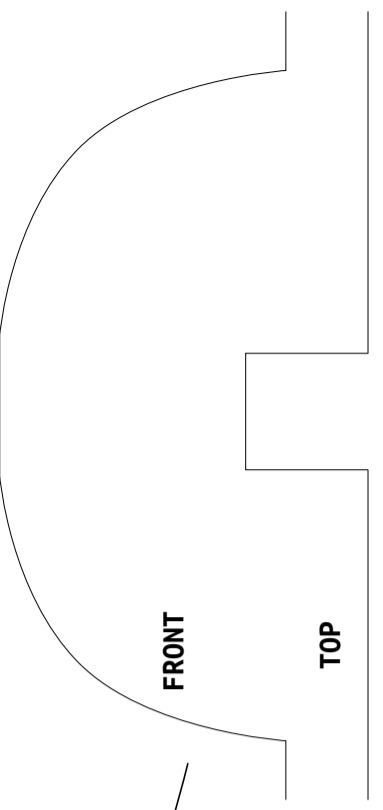


TOP

SIDE

SEAT CUSHION - MAKE 2  
FROM LIGHT POLYSTYRENE FOAM  
OR LIGHT Balsa

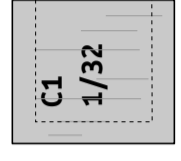
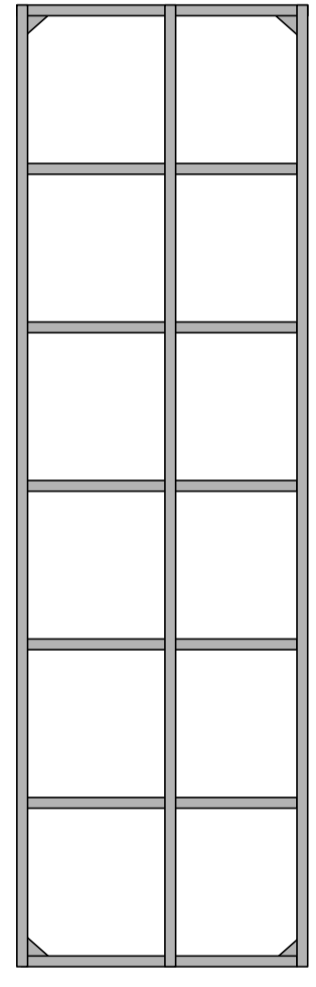
UNDERCARRIAGE - BEND FROM 0.02" STEEL WIRE



FRONT

TOP

TAILPLANE



C1  
1/32

C2

SANDWICH UNDERCARRIAGE WIRE BETWEEN C1 AND C2

PAPER UNDERCARRIAGE  
FAIRING, MAKE 2