



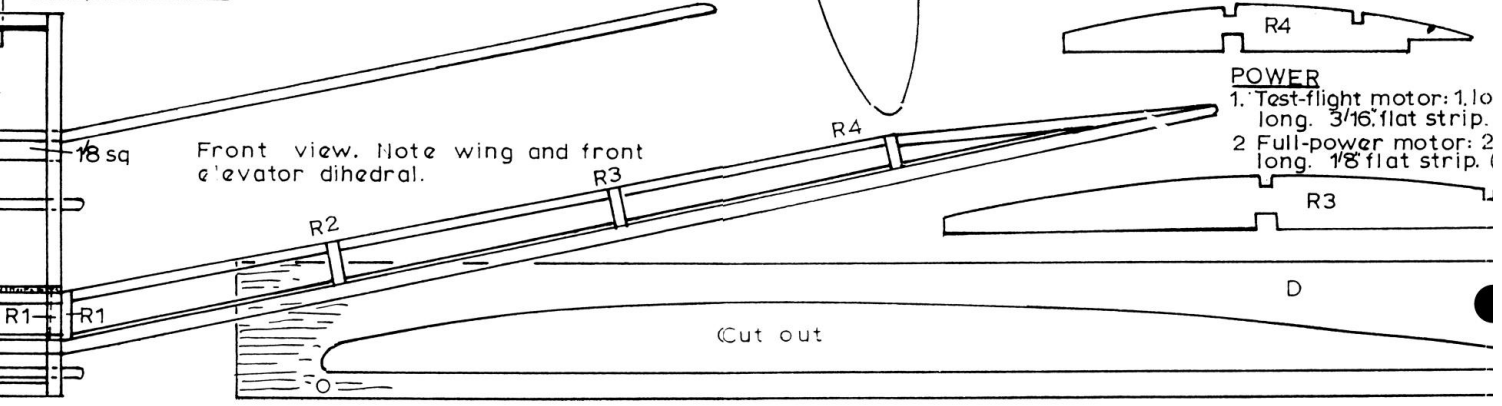
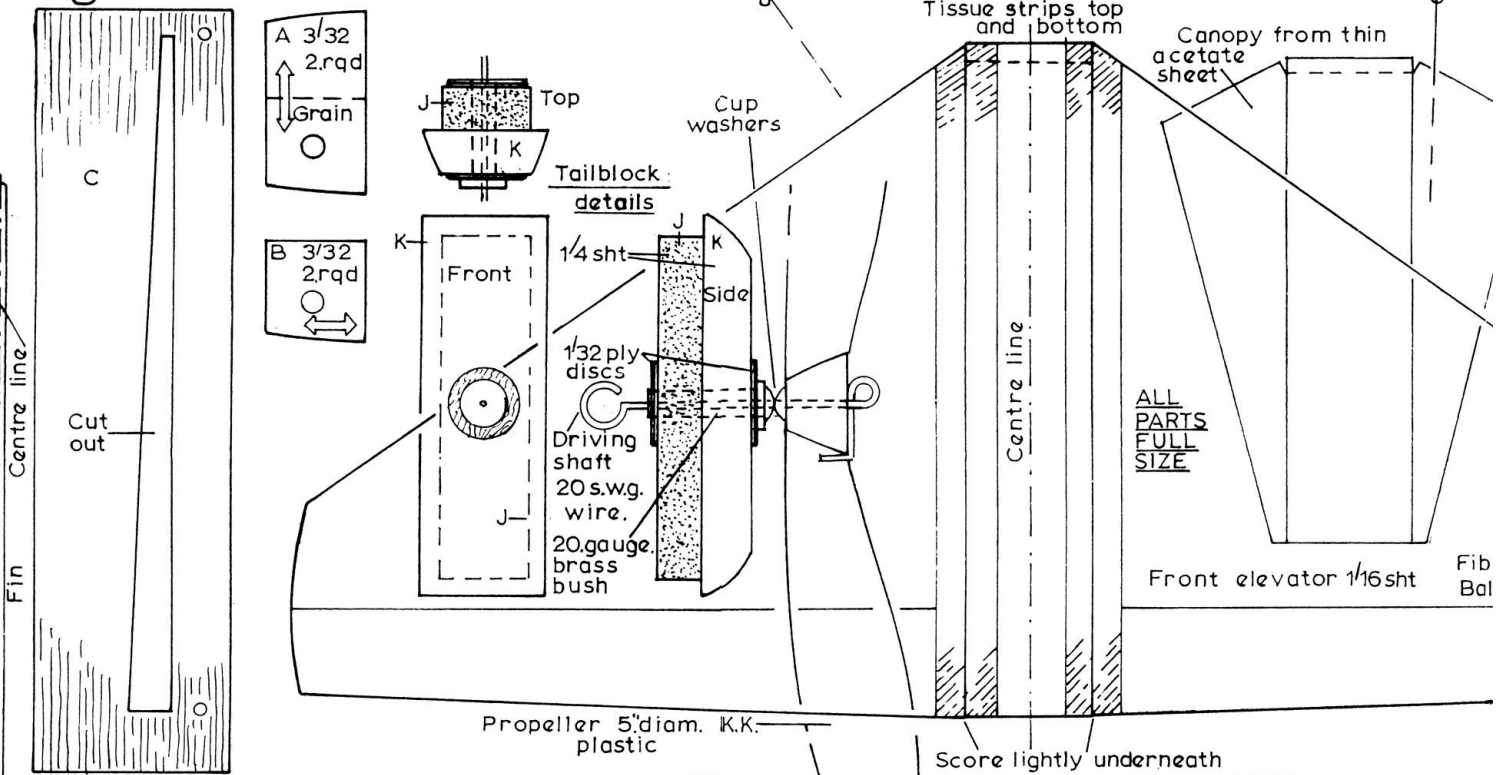
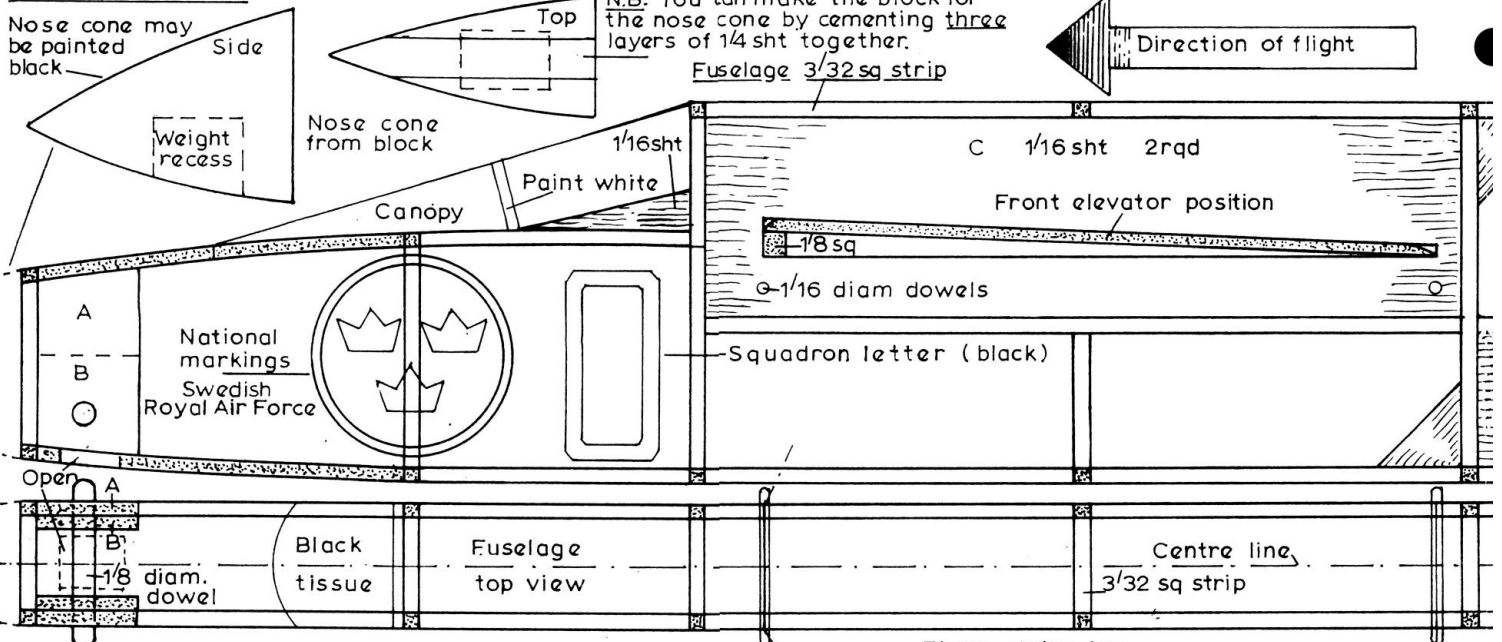
Ray Malmström. 1967

Nose cone may be painted black

N.B. You can make the block for the nose cone by cementing three layers of 1/4 sht together.

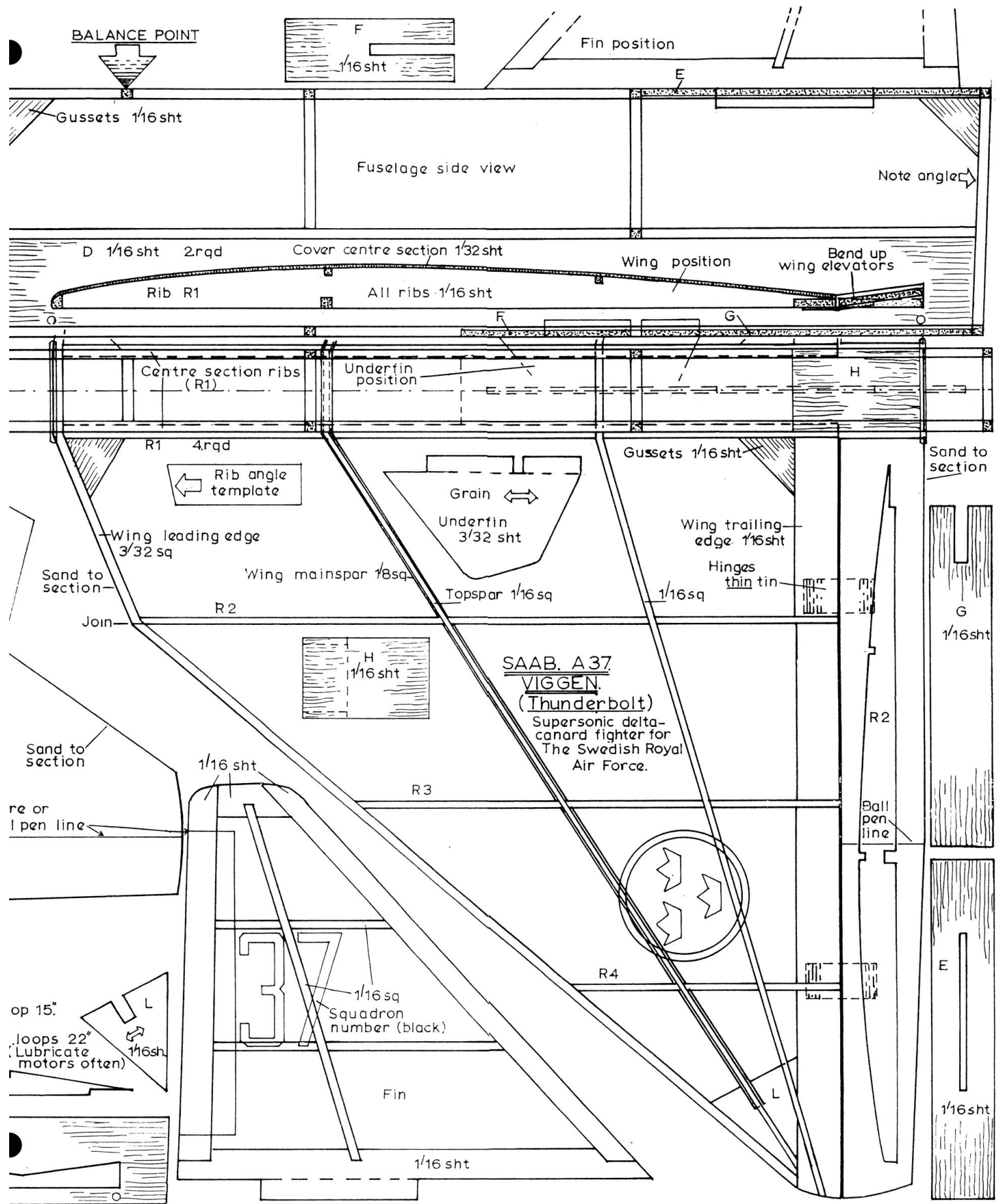
Fuselage 3/32 sq strip

Direction of flight



**POWER**  
 1. Test-flight motor: 1.10 long. 3/16" flat strip.  
 2. Full-power motor: 2 long. 1/8" flat strip.





INDOOR/OUTDOOR MODEL.

# BAMBINA

## DATA.

WING SPAN: 4"  
LENGTH (oa): 8 1/2"

CABIN AND ALL FLYING SURFACES: 1/32 INDOOR LIGHTWEIGHT BALSA SHT. TRIM TABS: STIFF NOTEPAPER.

