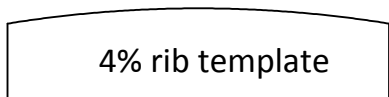


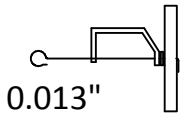
cover with wrinkled condenser paper

# Piper Cub

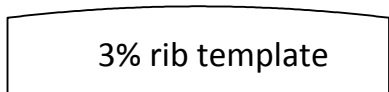
Clive King



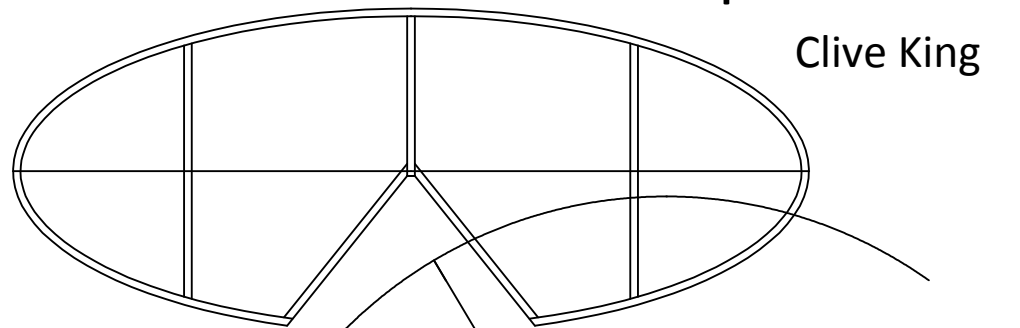
4% rib template



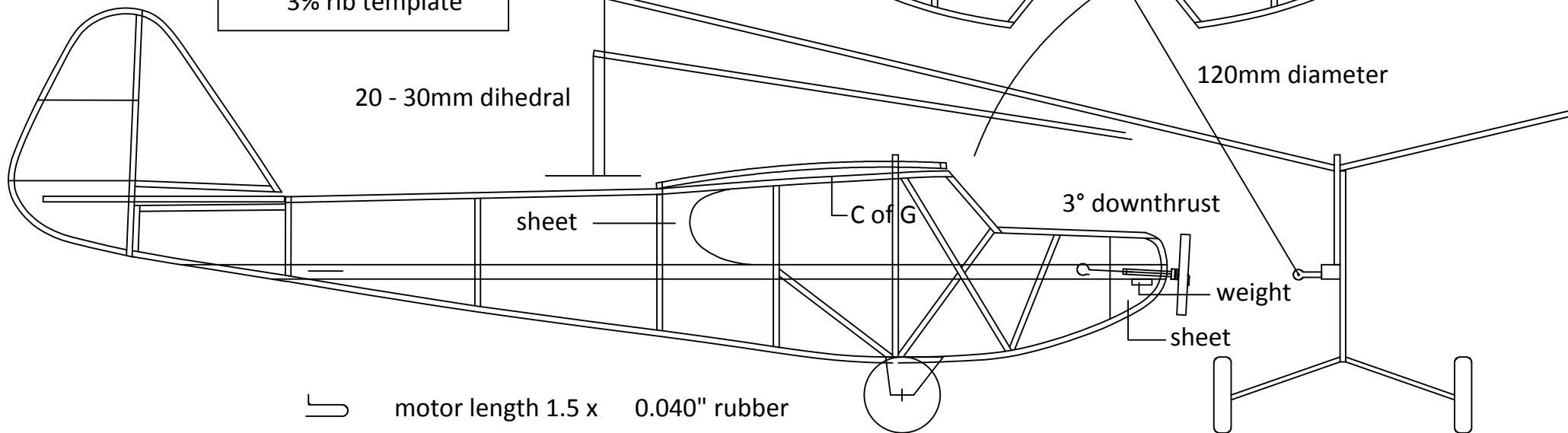
0.013"



3% rib template



120mm diameter



motor length 1.5 x 0.040" rubber